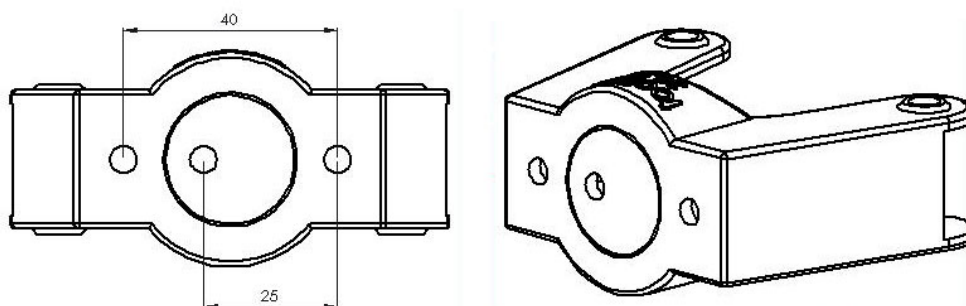


A new member of the Toolflex family , the 25-35 mm holder!



The new holder is developed to meet the thicker ergonomic handles. It takes handles with diameter from 25 to 35mm and is now in production in black colour.

The holder can be mounted either with a Toolflex tube fixation, item No. 540-xx-1 (xx for size in mm) or with two screws. The distance between the screw holes is 40mm. If the holder should be mounted where the distance between the holes is 25mm (like on the smaller holder) a plastic washer with a hole off centre can be used. This washer is included in the delivery.



The new Toolflex holder has the following item No:

- | | | |
|----------|--|------------------|
| 537-1 | Toolflex holder 25-35mm, black | Bulk pack 40pcs. |
| 538-xx-1 | Toolflex holder 25-35mm with tube clamp xx mm, black
1-pack in plastic bag with display card
(xx replaces with the Ø of the clamp) | 20pcs / carton |